

### Application

Designed for use as primary relief valve on above ground domestic and small industrial bulk LPG containers. When used in conjunction with a check device (isolation valve) permits the exchange of the relief valve without the necessity of evacuating the container. **Note:** This action must be carried out by trained personnel carefully following our operating instructions.

### Features

- "Pop action" relief valve
- "Tell tale" hole is incorporated on the connection thread, which indicates the check device is closed and the relief valve may be removed
- The metal to metal seal on the check device allows for a "signal flow" of gas to act as a reminder that the container is unprotected when the valve is removed
- Generous flow channels with a low pressure drop for optimum performance



### Check device ordering information

Check device part No.	Container connection	Inlet connection	Overall height C	Wrench flats D
CD31	1 1/4" M. NPT	3/4" F. NPSM	59 mm	46 mm
CD32	1 1/4" M. NPT	1" F. NPSM	59 mm	46 mm
CD35	2" M. NPT	1 1/4" F. NPSM	59 mm	62 mm
CD36	1 1/4" M. NPT	M36x2 Metric F.	58 mm	52 mm
CD45	2" M. NPT	M45x2 Metric F.	59 mm	62 mm

### Relief valve ordering information

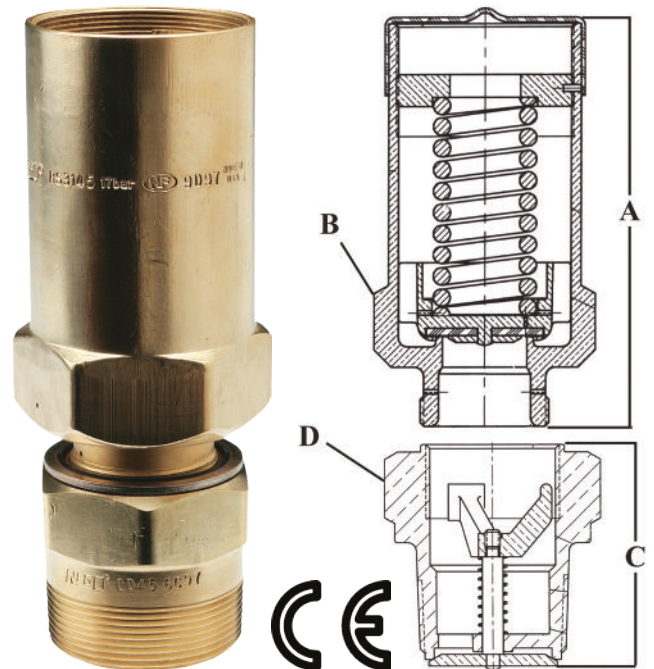
Relief valve part No.	Set pressure (bar)	Used on check device	Relief valve inlet connection	Overall height A	Wrench flats B	Flow rating w/ check device m3/min (air)
RS3131b15.7	15.7	CD31	3/4" M. NPSM	85 mm	46 mm	48.9*
RS3131b17.2	17.2					51.9*
RS3131b17.65	17.65					53.1*
RS3132b15.7	15.7	CD32	1" M. NPSM	129 mm	60 mm	70.1*
RS3132b17.2	17.2					77.5*
RS3132b17.65	17.65					
RS3135b15.6	15.6	CD35	1 1/4" M. NPSM	141 mm	68 mm	123*
RS3135b17.2	17.2					118*
RS3136b16	16	CD36	M36x2 Metric M.	135 mm	60 mm	69.4**
RS3136b17	17					77.4**
RS3136b18	18					87.0**
RS3145b17	17	CD45	M45x2 Metric M.	139 mm	68 mm	182.7**

\* At 110% of set pressure

\*\* Consult us for other setting pressures

### Materials

- Bodies: brass
- Seat disc: nitrile rubber
- Springs: stainless steel or coated steel



WORLDWIDE SALES OF HIGH-QUALITY GAS EQUIPMENT AND COMPONENTS



Find more information about your local MAKEEN Gas Equipment contact on: [makeengasequipment.com/get-in-touch](http://makeengasequipment.com/get-in-touch)  
Or scan the QR-code.

**MAKEEN Gas Equipment Headquarters**  
Alsvej 21 · 8940 Randers SV · Denmark  
Tel +45 8644 8734  
[mge@makeenenergy.com](mailto:mge@makeenenergy.com)